



Model Name

W11000H Digital Projector

Unique Selling Point

- * True 4K, 8.3 million pixels
- * Projector-optimized HDR
- * 3D compatibility
- * THX® HD Display Certification
- * Rec. 709 color fidelity
- * CinemaMaster Video Enhancer
- * 1.5X big zoom lens

Trade Mark



| | | |
|---|--|---|
| Projection System | DLP 4K UHD | |
| Resolution | 3840 x 2160 with XPR technology | |
| Display Pixels | 8.3 million pixels | |
| Brightness | 2200 ANSI lumens | |
| FOFO Contrast Ratio | 50,000:1 with Dynamic Iris | |
| Display Color | 1.07 Billion Colors | |
| Aspect Ratio | 16:9 | |
| Lens | F = 2.05 - 2.37 f = 20.54 - 30.31 | |
| Throw Ratio | 1.36 - 2.03 (100" @ 3m) | |
| Image Size (Clear Focus / Maximum) | 95"~180" / 300" | |
| Zoom Ratio | 1.5:1 | |
| Lamp Type | PHILIPS 240W | |
| Lamp Mode (Normal/Eco/SmartEco)* | 3000 / 4000 / 6000 hours | |
| Lens Shift | Vertical: ± 65% / Horizontal: ± 27% | |
| HDMI Compatibility | PC Timing | VGA (640 x 480) to 4K UHD (3840 x 2160) |
| | Video Timing | 480i/p 60Hz, 576i/p 50Hz, 720p 50/60Hz, 1080i 50/60Hz, 1080p 24/25/30/50/60Hz, 2160p 24/25/30/50/60Hz |
| Horizontal Frequency | 15 - 102KHz | |
| Vertical Scan Rate | 23 - 120Hz | |
| Color Wheel Segment | 6-Segment (RGBRGB) | |
| Color Wheel Speed | 1x (120 Hz) | |
| Interface | PC (D-Sub) | x 1 |
| | HDMI | x 2 (HDMI 1: HDMI 2.0 & HDCP 2.2; HDMI 2: HDMI 1.4a & HDCP 1.4) |
| | USB (Type mini B) | x 1 (Service) |
| | LAN | x 1 |
| | RS232 | x 1 |
| | DC 12V Trigger | x 2 |
| | IR Receiver | x 2 (Front & Back) |
| IR in | x 1 | |
| Physical | Dimensions (W x H x D) | 470.7 x 224.9 x 564.7 mm |
| | Weight | 14.8 kg (32.6 lbs) |
| Power | Power Supply | AC100 to 240 V, 50 to 60 Hz |
| | Power Consumption | Normal 384W, Eco 290W, Network Standby <3W, Standby <0.5W |
| Audible Noise (Normal/Economic mode) | 26 / 23 dBA (Silence mode) | |
| On-Screen Display Languages | Arabic/Bulgarian/ Croatian/ Czech/ Danish/ Dutch/ English/ Finnish/ French/ German/ Greek/ Hindi/ Hungarian/ Italian/ Indonesian/ Japanese/ Korean/ Norwegian/ Polish/ Portuguese/ Romanian/ Russian/ Simplified Chinese/Spanish/ Swedish/ Turkish/ Thai/ Traditional Chinese (28 Languages) | |
| Picture Modes | ** ISF Disabled: Bright / Vivid / Cinema / THX / Silence / User 1 / User 2 | |
| | *** ISF Enabled: Bright / Vivid / Cinema / THX / Silence / User 1 / User 2 / ISF Night / ISF Day | |
| Accessories | Standard | Optional |
| | Lens Cover | Spare Lamp Kit |
| | Remote Control with Battery | CMG5 Ceiling Mount |
| | Power Cord (by region) | Anamorphic lens |
| | User Manual CD | |
| | Quick Start Guide | |
| Warranty Card | | |
| Environmental Notice | Lamp in this product contains mercury. To dispose of the product or used lamps, consult your local environment authorities for regulations or see www.lamprecycle.org . | |

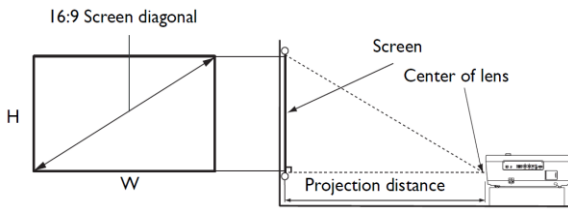
* Lamp life results will vary depending on environmental conditions and usage. Actual product's features and specifications are subject to change without notice.

** Default picture mode is **THX**.

*** When ISF is enable, default picture mode is **ISF Night**.

W11000H Digital Projector

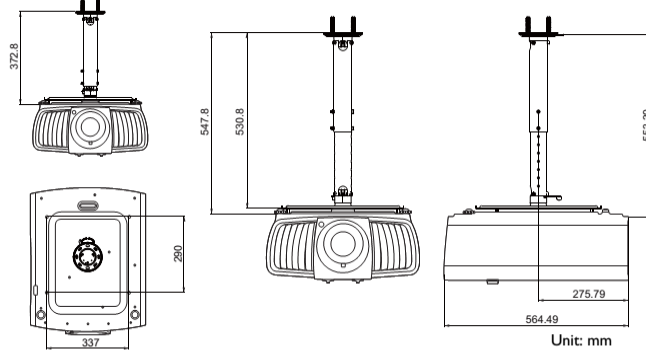
Distance Chart



| Screen size | | | | Distance from screen (mm) | | | Lowest/ Highest Lens position (mm) |
|-------------|------|--------|--------|---------------------------|---------|---------------------------|--|
| Diagonal | | W (mm) | H (mm) | Min length (max. zoom) | Average | Max length (min. zoom) | |
| 80 | 2032 | 1771 | 998 | 2400 | 3000 | 3600 | 149 |
| 90 | 2286 | 1992 | 1121 | 2700 | 3375 | 4050 | 168 |
| 100 | 2540 | 2214 | 1245 | 3000 | 3750 | 4500 | 187 |
| 110 | 2794 | 2435 | 1370 | 3300 | 4125 | 4950 | 205 |
| 120 | 3048 | 2657 | 1494 | 3600 | 4500 | 5400 | 224 |
| 130 | 3302 | 2878 | 1619 | 3900 | 4875 | 5850 | 243 |
| 140 | 3556 | 3099 | 1743 | 4200 | 5250 | 6300 | 262 |
| 150 | 3810 | 3321 | 1868 | 4500 | 5625 | 6750 | 280 |
| 160 | 4064 | 3542 | 1992 | 4800 | 6000 | 7200 | 299 |
| 170 | 4318 | 3763 | 2117 | 5100 | 6375 | 7650 | 318 |
| 180 | 4572 | 3985 | 2241 | 5400 | 6750 | 8100 | 336 |
| 190 | 4826 | 4206 | 2366 | 5700 | 7125 | 8550 | 355 |
| 200 | 5080 | 4428 | 2491 | 6000 | 7500 | 9000 | 374 |
| 210 | 5334 | 4649 | 2615 | 6300 | 7875 | 9450 | 392 |
| 220 | 5588 | 4870 | 2740 | 6600 | 8250 | 9900 | 411 |
| 230 | 5842 | 5092 | 2864 | 6900 | 8625 | 10350 | 430 |
| 240 | 6096 | 5313 | 2989 | 7200 | 9000 | 10800 | 448 |
| 250 | 6350 | 5535 | 3113 | 7500 | 9375 | 11250 | 467 |
| 260 | 6604 | 5756 | 3238 | 7800 | 9750 | 11700 | 486 |
| 270 | 6858 | 5977 | 3362 | 8100 | 10125 | 12150 | 504 |
| 280 | 7112 | 6199 | 3487 | 8400 | 10500 | 12600 | 523 |
| 290 | 7366 | 6420 | 3611 | 8700 | 10875 | 13050 | 542 |
| 300 | 7620 | 6641 | 3736 | 9000 | 11250 | 13500 | 560 |

Wall Mount / Ceiling Mount Chart

Ceiling mount screw: M4
(Max L = 25 mm; Min L = 20 mm)



Dimension

